



MF4000 Series Manifold Gas Flow Meters

The Products

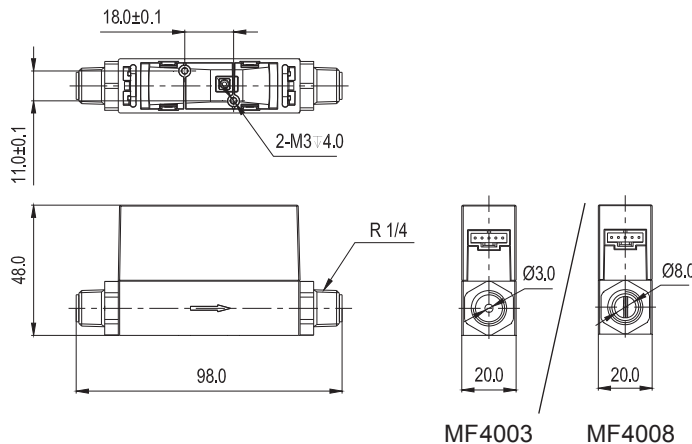
MF4000 series mass flow meters are designed for applications where manifold flow measurements. The standard flow channels are 3 mm and 8 mm in diameter, respectively. Plastic finishing with an easy change of the mechanical adaptors enables applications at a low cost and different environments. The meters can be used for process gas control, environmental samplers and many other industrial applications.

Features

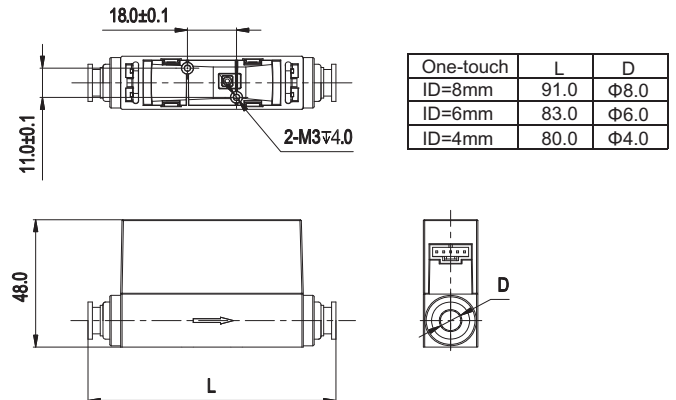
- ✎ Designed for low gas flow in fixed flow channel of 3 mm and 8 mm, with accumulated flow register
- ✎ Compact design ready for manifold assembly
- ✎ Fast response time for solutions of critical applications
- ✎ Excellent for manifold process gas monitor and control
- ✎ Exchangeable mechanical connectors for easy installation at different applications
- ✎ Intrinsic safe enclosure

Mechanical Dimensions

BSPT 1/4 (R 1/4) connection



One-touch connection



Mass Flow Products - Gas Flow Meters MF4000 Series

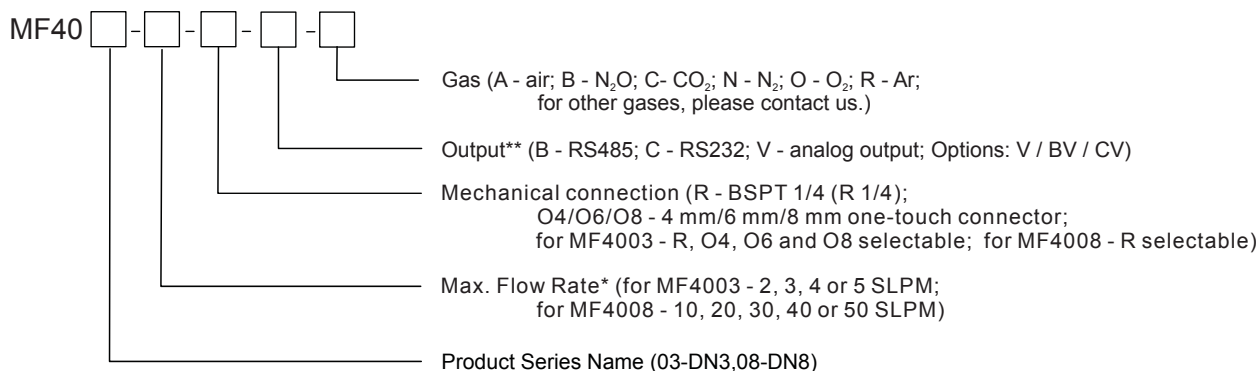
Specifications

Parameter	MF4003	MF4008	Unit
DN	3	8	mm
Flowrate Range	0 ~ 2, 3, 4, 5	0 ~ 10, 20, 30, 40, 50	SLPM
Turn-down	100:1		
Accuracy	± (1.5 + 0.2 FS)		%
Repeatability	0.25		%
Null Shift	± 30		mV
Output Shift	± 0.12		% / °C
Response Time	10 (default, 10, 20, 50, 200, 500, 1000 selectable)		msec
Power Supply	8 ~ 24 Vdc, 50 mA		
Output	Linear: Analog 0.5 ~ 4.5 Vdc; RS232, RS485		
Display	4 - digit, 7 - segment LED; 2 status LED		
Units	Instant flowrate: SLPM; Flow accumulation: SL		
Display Resolution	0.001, 0.01, 0.1 selectable	0.01, 0.1 selectable	SLPM
Pressure Drop	100	600	Pa
Max. Pressure	0.5		MPa
Working Teperature	-10 ~ +55		°C
Storage Teperature	-20 ~ +65		°C
Humidity	< 95%RH (No icing or condensation)		
Mechanical Connection	BSPT 1/4 (R 1/4), 4 mm / 6 mm / 8 mm One - touch	BSPT 1/4 (R 1/4)	
Keyboard	3 Keys		
Pins Out	5 Pins, NS-TECH CD R-5		
Calibration**	Air @ 20 °C, 101.325 kPa		
Weight	55(with BSPT 1/4 (R 1/4)) 74(with 4 mm / 8 mm One-touch), 71(with 6 mm One-touch)		g

Notes: * The above parameters are applicable at 20°C and 101.325kPa.

** For other gases calibration, please contact us.

Product Selection



* Max. flow rate number only, for example, 5 meaning full scale flow rate of 5 SLPM.

For CO₂ and N₂O, selectable: 2, 3 or 4 SLPM (without 5 SLPM) for MF4003; 10, 20, 30 or 40 SLPM (without 50 SLPM) for MF4008;

** The meter standard output is analog. Digital outputs are optional.